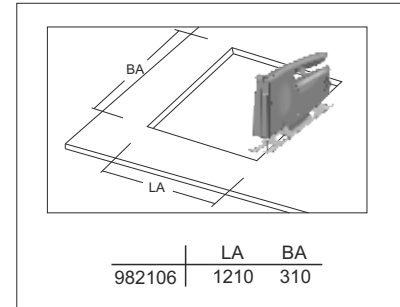
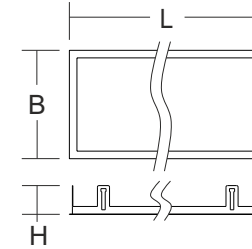
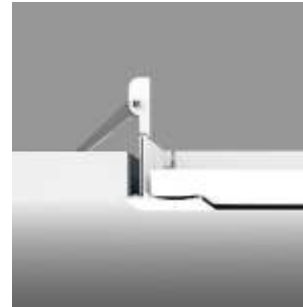




INSTRUCTION

Einbaurahmen

982106.002



982106.002

L1224, B324, H96

3,0 kg



